

# RODEO PLUS™

## VIDEO RECORDER



Rack-Mountable



**Added features for more demanding recording requirements**

### APPLICATIONS

**Multi-Camera Motion Recording**

**Volumetric Video Capture**

**4D Face/Body Scanning**

**Athletic Motion Recording**

**Test Range Recording**

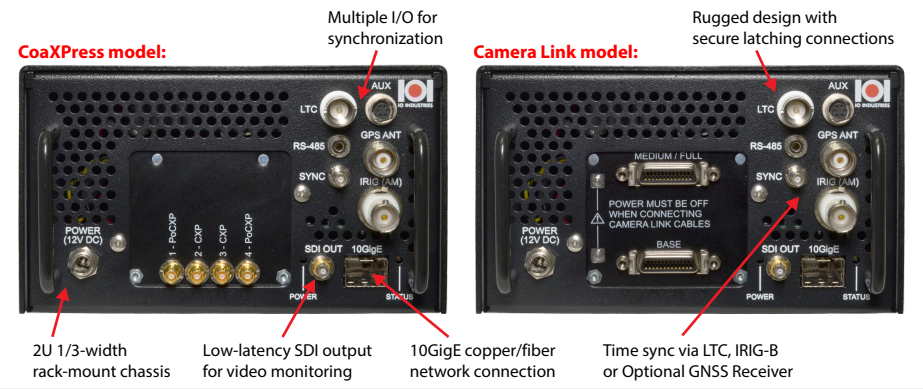
**Industrial Troubleshooting**

### FEATURES INCLUDE:

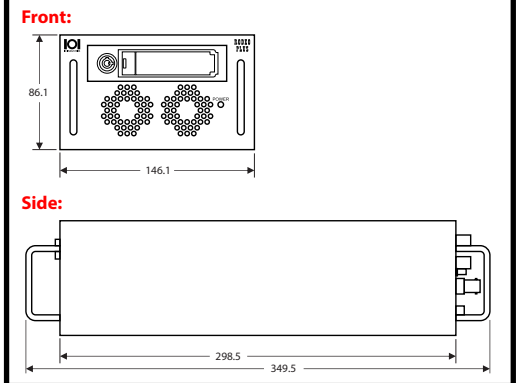
- Lossless recording from high data-rate video cameras
- Supports CoaXPress and Camera Link cameras from IO Industries and other manufacturers
- Precise time-stamping from PTP, IRIG-B, GPS and other sources
- Control over 10 Gigabit Ethernet (copper or fiber)
- Internal SSD media, up to 15.4TB capacity (removable)
- Low-latency, live SDI video output
- Interactive software for PC-based control with SDK for custom integrations; MS-Windows and Linux support



## REAR VIEW



## MECHANICAL DIAGRAMS

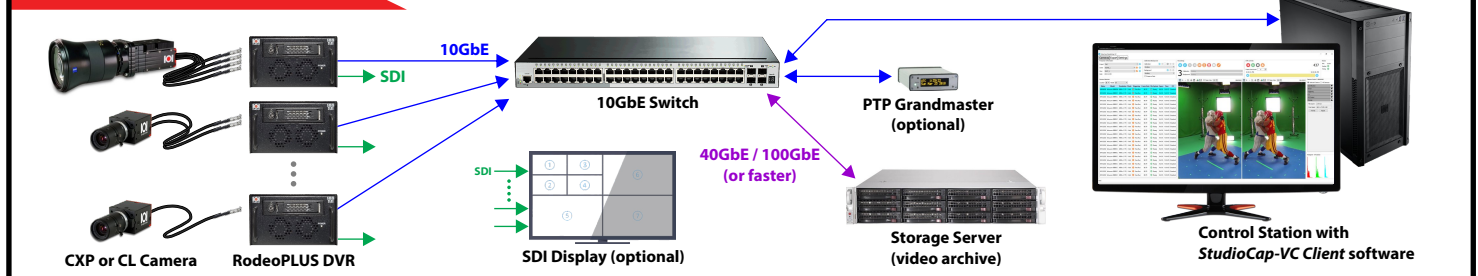


<b>Video Input</b>	CoaXPress video from a single camera via 1/2/4 coaxial connections (max. 12.5 Gbps per link, max. 25 Gbps total). Camera Link video from a single camera via 1-2 connections (CL-Base/Medium/Full/80-bit, max. 85MHz clock rate).
<b>Internal Recording</b>	Lossless-compressed (CX) or uncompressed (CL) RAW recording to internal SSD (up to 15360GB capacity).
<b>10 Gigabit Ethernet</b>	Fast network interface for DVR/camera configuration, recording control, live and playback video streaming, and high-speed file transfer. SFP+ port allows various connectivity options including optical fiber or copper cabling.
<b>PTP Synchronization</b>	IEEE1588 Precision Time Protocol can be used for frame timestamping and camera exposure synchronization.
<b>IRIG Input</b>	Integrated timecode receiver for IRIG-B amplitude-modulated signals (B122/B123/B126/B127)
<b>GNSS Receiver</b>	Optional multi-frequency/multi-constellation GNSS receiver can be used for frame timestamping, position logging and camera exposure synchronization.
<b>SMPTE LTC Input</b>	LTC reference can be used for frame timestamping and camera exposure synchronization.
<b>SDI Video Output</b>	Live video monitoring via 12G/6G/3G/HD-SDI, supports UHD/HD up to 60fps.
<b>Tri Level Sync Input</b>	SMPTE HD sync reference can be used for camera exposure synchronization.
<b>Additional I/O</b>	TTL input/output (2-in, 3-out) for interaction with nearby devices, remote recording control, etc.
<b>Control Software</b>	IO Industries StudioCap-VC software or custom-developed application using StudioCap-VC SDK (MS-Windows/Linux).

### Mechanical/Electrical

<b>Dimensions / Weight</b>	146.1 mm (W) x 86.1 mm (H) x 349.5 mm (D), 1.85 kg
<b>Power Requirements</b>	12V DC, approx. 26W, plus power for camera (PoCXP/PoCL). Universal AC Adapters available (RODEOPLUSPWRxx).
<b>Operating Temperature</b>	0°C to 50°C, 20-85% humidity (non-condensing).

## SAMPLE CONFIGURATION



## ORDERING

Part Number	Description
RODEOCPLUS-VC	DVR, RodeoPLUS, CoaXPress 2.0, Single Camera, CXP-6 Quad-Link or CXP-12 Dual-Link, embedded StudioCap-VC license (1yr maintenance)
RODEOCLPLUS-VC	DVR, RodeoPLUS, Camera Link, Single Camera, CL-Base/Medium/Full/80-bit, embedded StudioCap-VC license (1yr maintenance)
RODEOPLUSPWRxx	AC Power Adapter for RodeoPLUS models, various cord types (xx = NA, EU, UK)
CABRODEOIO	Cable, I/O Breakout to (2) BNC, for Rodeo and RodeoPLUS models
VIDIOMODxxxxxU2	VidIO Drive Module, U.2, various capacities (xxxxx = 3840, 7680, 15360)
-Gxx	Optional GNSS receiver for RodeoPLUS. Append to part number above eg. RODEOCPLUS-VC-G03. See separate datasheet for details.
2USHELF	2U 19 inch Rack Shelf for (3x) RodeoPLUS

IO Industries Inc.  
15940 Robin's Hill Road  
London, Ontario, Canada, N5V 0A4  
Tel: +1 519 663 9570  
Email: sales@ioindustries.com

LET'S STAY CONNECTED! [www.ioindustries.com](http://www.ioindustries.com)

@IOINDUSTRIES

@IOINDUSTRIES

@IO-INDUSTRIES

Copyright © 2024 IO Industries Inc. Rodeo is a trademark of IO Industries.  
All other trademarks are the property of their respective owners.

Datasheet Rev. 1.0 (03/22/2024)  
Specifications subject to change without notice